

CP 125 EX manual call point



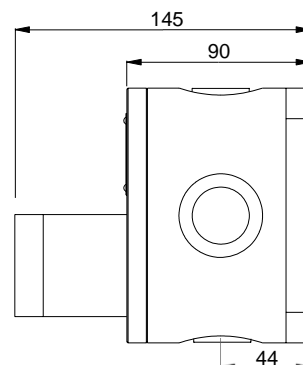
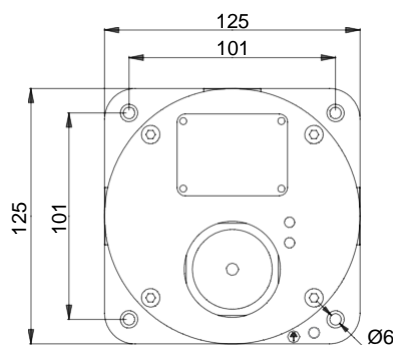
The flameproof CP125 manual call point is ATEX / IECEx certified for use in potentially explosive atmospheres. It can be used in conjunction with a fire alarm system and will activate alarms to alert personnel to potential dangers, help signal the need for immediate action in emergency situations and more. Also known as explosion proof fire alarm call point or manual call point (MCP) or "Break Glass" Call Point. Optional SIL2 IEC61508 certification.

ATEX / IECEx Certification: ATEX Zone 1 and Zone 2 Certified for group IIC gas / vapour and Zone 21 and Zone 22 compliant for dust / powder applications.


Application: Oil and gas, chemical, petrochemical, pharmaceutical, marine and offshore applications

Key features: Robust and highly reliable, this Ex manual call point (MCP) is designed for corrosive environments and hazardous areas. Housing is made of stainless steel 316L covered with UV resistant paint. These ATEX / IECEx compliant manual call points are compatible with PLC, ESD and DCS systems. The Manual Call Point is supplied with a hammer and securing chain.

Options: Visualisation functions, line detection and glass protection are optional. A range of accessories is available to customise this ATEX / IECEx manual call point. These include pipe mounting brackets, sunshades, tag and duty labels and other accessories.



CP 125 EX manual call point

MATERIAL	• Enclosure: Stainless steel 316L		
COLOUR	• RED : RAL3001	• YELLOW : RAL1018	• BLUE : RAL5005
	• BLACK : RAL9005	• GREEN : RAL6032	• GREY : RAL7038
	• ORANGE : RAL2010		
INGRESS PROTECTION	• IP66/67		
AMBIENT TEMPERATURE FOR OPERATION	• T6 = - 40°C ~ + 55°C , T5 = - 40°C ~ + 60°C, T4 = - 40°C ~ + 70°C		
CERTIFICATION	• Nemko 13 ATEX 1563X, IECEX NEM 13.0033X		
EX CODE	 • II 2 GD Ex d IIC T6 Gb • Ex tb IIIC T85°C		
STANDARD	• EN / IEC 60079-0, EN / IEC 60079-1, EN / IEC 60079-31		
ATEX AREA ZONE	• Gas zone: 1 & 2 Dust zone: 21 & 22		
AMBIENT HUMIDITY*	• Up to 95%		
RATED IMPULSE WITHSTAND VOLTAGE	• 1kV following IEC 61000-4-5		
CONTACT TYPE	• 1x C/O or 2x C/O		
RATING	• AC 125/250 V (50/60Hz) = 11 A*** ; 30V DC = 6A***; 125 VDC = 0,3A***; 250 V DC = 0,6A***		
MINIMUM VOLTAGE AND CURRENT	• DC 5V 10mA		
SHORTS CIRCUIT PROTECTION	• 10 A gG		
CABLES ENTRY	• 4 x M20, 1 x M25 + 3 x M20, 1 x 1/2" NPT + 3 x M20, 1 x 3/4" NPT + 3 x M20		
TERMINAL	• From 22 to 14 AWG - from 0.50 mm ² to 2.5 mm ²		
NET WEIGHT	• 4.6 Kg		
LINE RESISTOR**	• 470 Ohms**	• 1 watt	
SIGNALLING LED**	• Green U= 24V DC I=10mA; Red U=24V DC I= 20mA		

* = without runoff - ** = optional (cable gland and blanking plugs can be supplied if required) *** = resistive lead

CP 125 EX manual call point

Product	Certification	Switches	Duty label	Tag label	LED indicator	Features	Connection	Housing
CP	125	S	N	Y	L	FRD	Y	A



CP	= CALL POINT
125	= HAZARDOUS AREA
126	= NON-CERTIFIED
S	= 1
D	= 2
Y	= YES (SEE LIST)
N	= NO
Y	= YES (SEE LIST)
N	= NO
L	= RED & GREEN
R	= RED
G	= GREEN
N	= NO LED

RD	● = RED (STD)
YW	● = YELLOW
BU	● = BLUE
BL	● = BLACK
GN	● = GREEN
GY	● = GREY
OJ	● = ORANGE
A = 4 x M20 x 1.5	
B = 1 x M25 x 1.5 + 3 x M20 x 1.5	
C = 1 x 1/2" NPT + 3 x M20 x 1.5	
D = 1 x 3/4" NPT + 3 x M20 x 1.5	
Additional adaptors can be supplied as well as blanking plugs and cable glands, see below.	
F	= LIFT FLAP
R	= RESISTOR(S)
D	= DIODE(S)
N	= NO FEATURES

CONDUIT ACCESSORIES	
M20 316L St. St Exd conduit plug	SPARE3060009
St. St Exd cable gland 10-16mm	SPARE3060109
1/2" NPT St. St. conduit adaptor	SPARE3060106
St. St Exd cable gland 7-12mm	SPARE3060108
M25 St. St. conduit adaptor	SPARE3060105
3/4" NPT St. St. conduit adaptor	SPARE3060107

CONDUIT ACCESSORIES	
M20 NPB Exd conduit plug	SPARE3060008
NPB Exd cable gland 10-16mm	SPARE3060018
1/2" NPT NPB conduit adaptor	SPARE3060019
NPB Exd cable gland 7-12mm	SPARE3060108
M25 NPB conduit adaptor	SPARE3060105
3/4" NPT NPB conduit adaptor	SPARE3060002